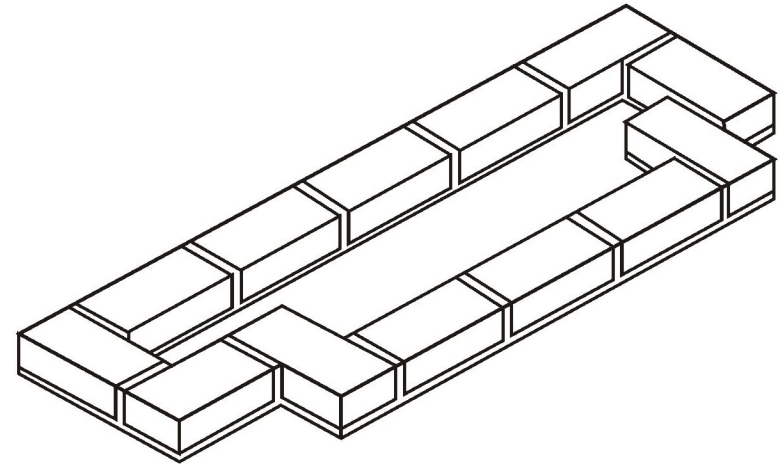
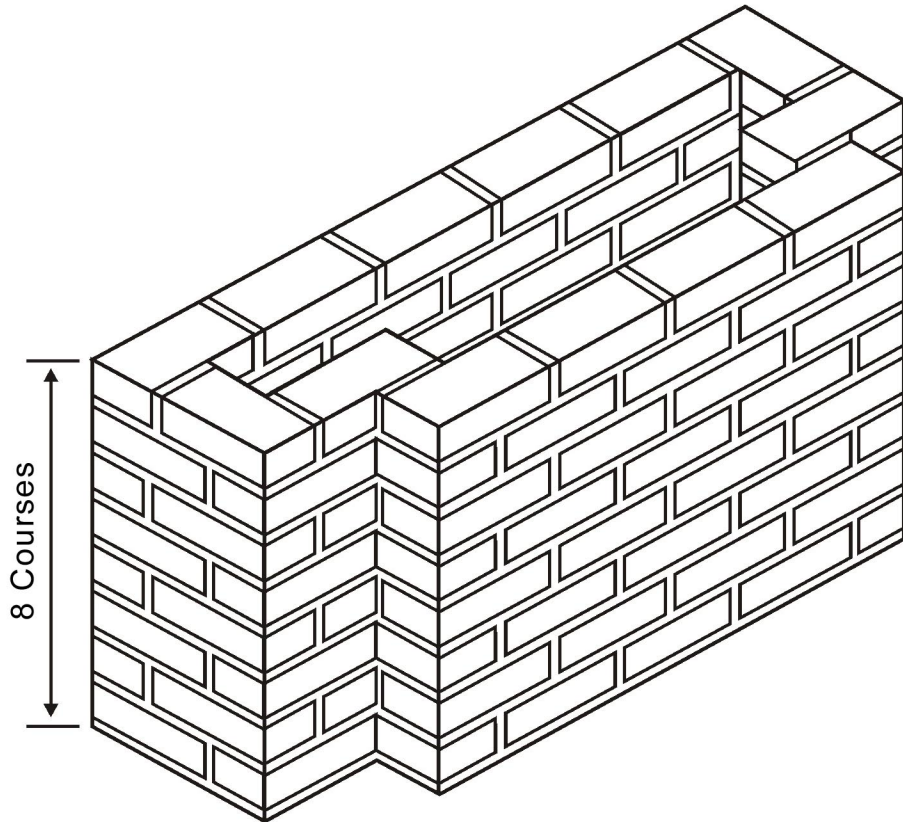


MASONRY PROJECT #28



Plan of first course and all odd courses

**Bon Tool Co. does not guarantee the accuracy of the data.
Please report errors and submit suggestions to Bon Tool Co.**

INSTRUCTIONS

1. Build wall as shown.
2. Outside joints are to be concave tooled. Inside joints are to be flush-cut.
3. First bed joint may be used to level project.
4. Use no. 5 coursing scale on standard rule. (4 courses in 10 - 3/4 inches)
5. Head joints to be uniform with bed joints.
6. No sacking, or oiling permitted.

Bon Tool Co.

Gibsonia, PA 15044 • USA • 724-443-7080 • www.bontool.com