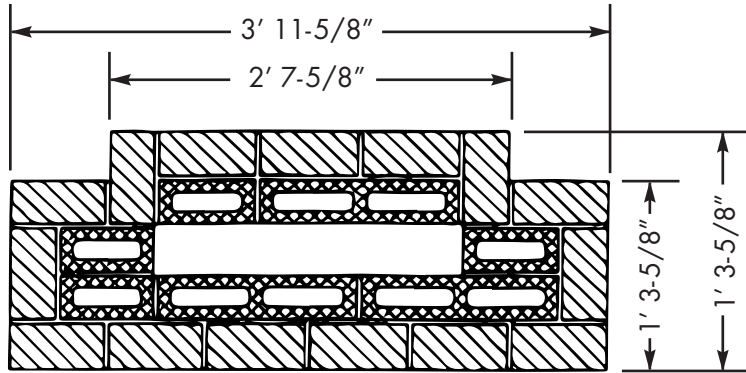
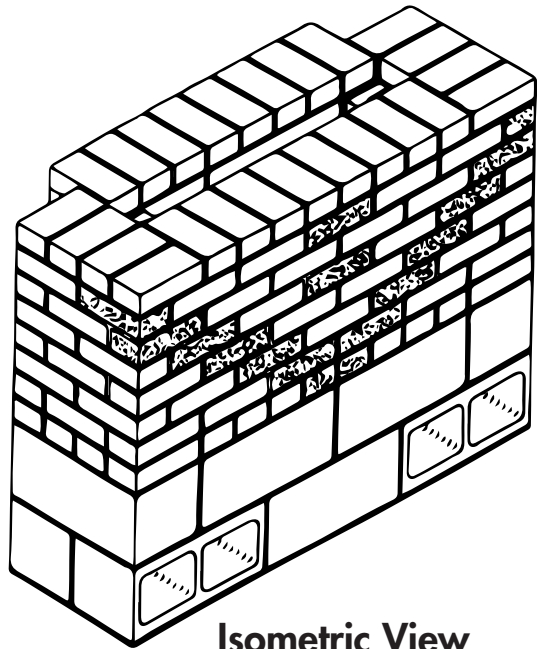


MASONRY PROJECT

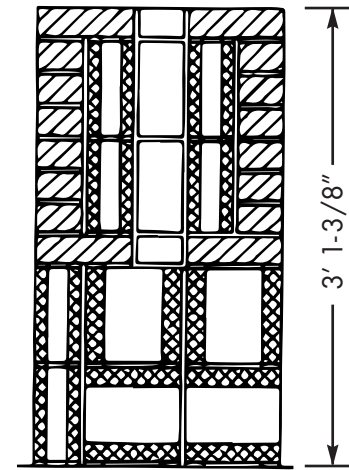
#53



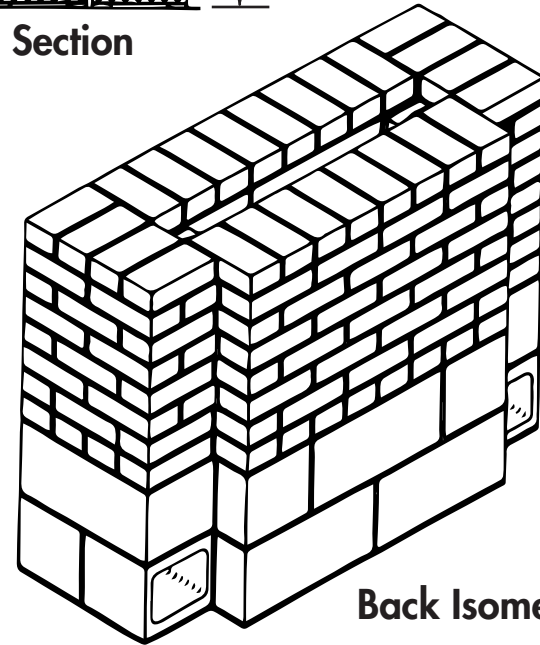
Plan



Isometric View



Section



Back Isometric View

Bon Tool Co. does not guarantee the accuracy of the data.
Please report errors and submit suggestions to Bon Tool Co.

MATERIALS REQUIRED

1. 9 - 4" CMU
2. 12 - 8" CMU
3. 10 - Half 4" CMU
4. 16 - Modular Brick - Type B
5. 24 - Uncored Modular Brick - Type A
6. 99 - Modular Brick - Type A

BonTool Co.

Gibsonia, PA 15044 • USA • 724-443-7080 • www.bontool.com